

# DIMENSIONS

## CAPACITY

- 28 tonne capacity on fixed lug
- 27.6 tonne capacity on running rope
- 25 tonne capacity pick and carry on lug

## BOOM

- 6.12-18.64m high tensile
- 3 section full power boom

## ARTICULATION

- 44° either side of the centre

## SPEED

- Max 80km/hr

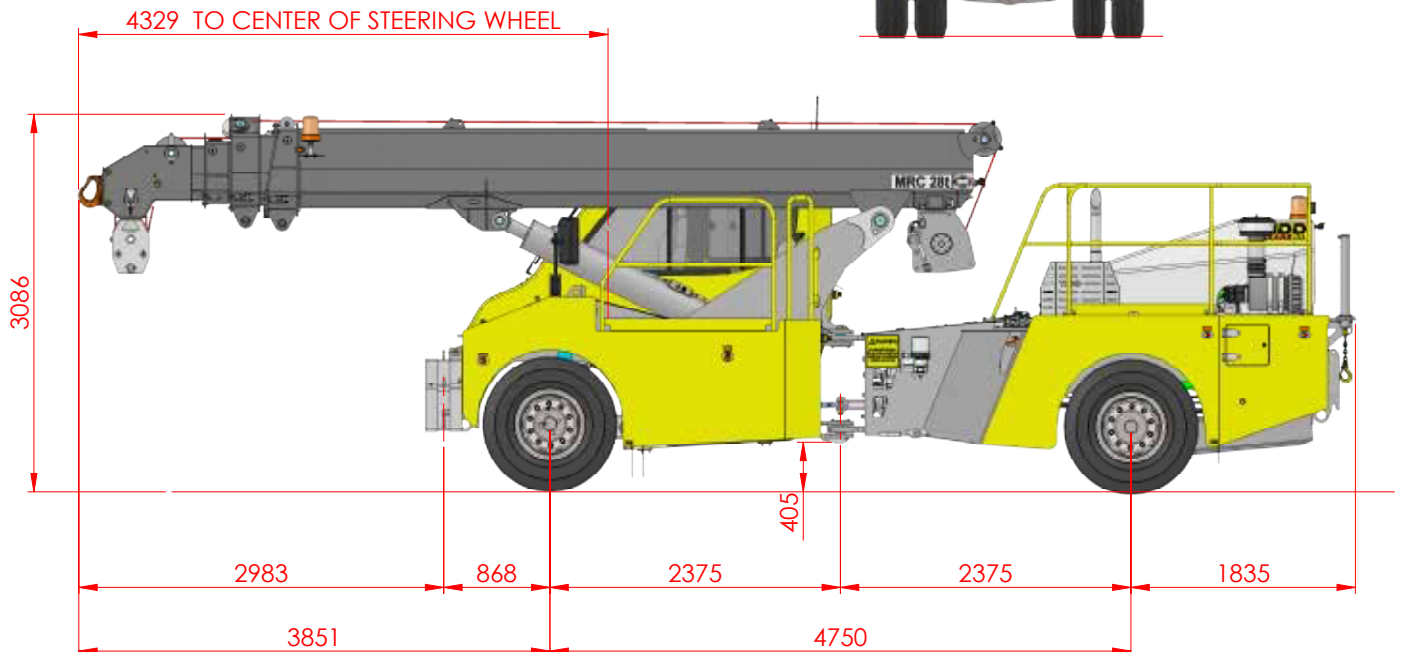
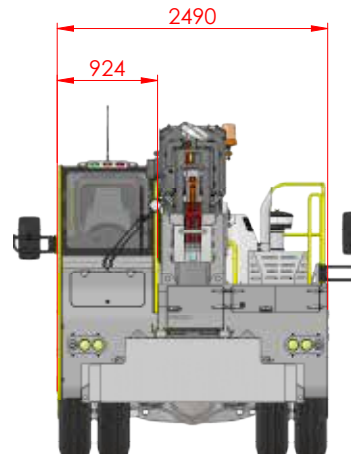
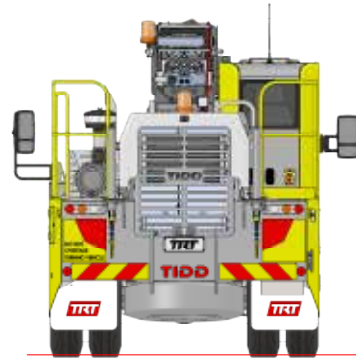
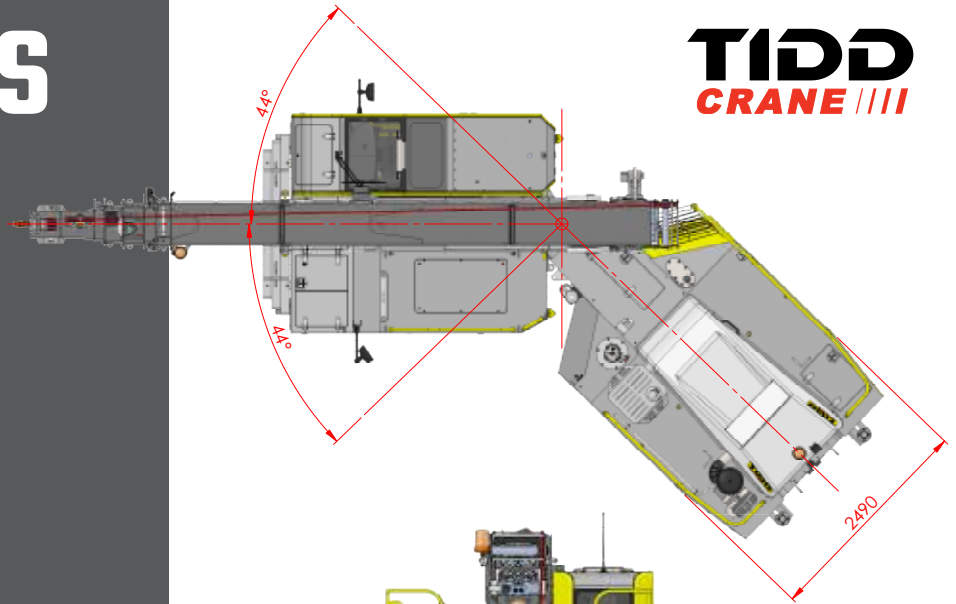
## MASS

- Gross vehicle mass 23.9 tonne
- Front axle mass 11.9 tonne
- Rear axle mass 12 tonne

## COUNTERWEIGHT

- 2.3 tonne roadable, front and rear mount

**TIDD**  
CRANE IIII



# SPECIFICATIONS



The TDD PC28 is built with specialist features for construction and mining. There are a wide range of options available to tailor the crane to your operation. If the options you require are not listed below, please contact one of our experts.

## CRANE

|  |  |
|--|--|
| Double acting hydraulic cylinders (-6 to + 65°) with integral holding valve, allowing rigging to drop straight into the front chain box from the hook.                     | 15 tonne capacity Rhino hook.  |
| Anti-two block device.   | 4.6 tonne line pull Braden PD15 2-speed winch with automatic disc brakes and third wrap indicator.   |
| Robway RCI8510 Dynamic Load Indicator with automatic cutouts and digital display.  | 14mm non-rotating wire rope x 6 falls.   |
| A dash mounted deadlock switch allowing a temporary increase to 110% RC only with reduced function speeds.   | 15 tonne capacity spreader bar.  |
| A key locked Bridging switch is mounted externally on the cab limiting access to authorised persons.   | Large 2-sectioned chain box at the front of the crane and accessed directly from the hook.           |
| Joystick control of boom and winch functions with 2-speed winch button, boom-telescoping switch proportionally controlled, and boom luffing with dead man trigger on grip. | 1 tonne capacity carry deck with restraint points.   |
|  | Two work lights on the boom and one rotating beacon on the boom and engine cover.                    |
|  | Three emergencies stop buttons, in cabin and either side of the crush zone in the articulation area. |
|  | Tri light safe load indicator on cabin roof with audible alarm.                                      |
|  | CraneSafe inspection.  |
|  | 1 year warranty standard.  |

## OPERATOR

|   |  |
|---|--|
| Forward mounted cabin provides excellent vision.                                  | Hand rails and access steps all have 3 points of contact at all times. |
| Certified ROPS, 2-person cabin with double door access. (Patent No. 2012203625).  | Safety glass throughout.   |
| 2 x 150 kg rated air suspension seats with 3-point seat belts.                    | 1.5 kg fire extinguisher.  |
| Large dry storage area via the hinged cabin steps, ideal for storing soft slings. | Mirrors - placement for optimised visibility.                          |
|   | Reversing camera and alarm.  |
|   | Air conditioning.  |
|   | Bluetooth, Radio and USB Port.   |

## RECOMMENDED OPTIONS

**Slew Safe™ - Recommended** - An effective system to restrict the driver from operating off the chart. With audible and visual alarms along with steering restrictions, Slew Safe cannot be over-ridden but will operate again when the load is back in the green. Accepted on many Tier 1 sites, as standard. (Patent pending 741038).

**Traction Air™ CTI - Recommended** - TRT's Tyre pressure management system to improve crane safety on varying road surface, maintaining the correct tyre pressure at all times. Backed by a 3 year/500,000km warranty. Contact us for more information.

## DRIVELINE

|   |  |
|---|--|
| Mercedes Benz OM906 six-cylinder, 6.4 litre, turbo charged, intercooled 205 kW diesel engine. | Holding brake for front right wheel to allow slewing during stationary lifting.  |
| Allison 3000 series automatic transmission, 6 speeds forward.                                 | Beka Max™ Auto Grease Pump.  |
| Kessler high-speed planetary axles with diff lock on front axle.                              | TIDD hydro-pneumatic suspension on the front axle with hydraulic lockout for crane mode and automatic height adjustment for road mode.             |
| Meritor transfer case.  | Heavy duty parabolic spring suspension on rear.  |
| Two stage engine and exhaust brake.   | High quality load sensing piston pump for hydraulic system, 305 litre hydraulic tank with filtration byway of pressure and return line filtration. |
| 410 litre fuel tank with locking cap.   | Battery isolator, external jump start terminals and starter isolator as standard.  |
| Automatically activated emergency hydraulic steering.   | LED 24V lighting system  |
| Dual line full air brakes on all wheels with ABS.   | Right side rear handrail for safe servicing of the engine area.  |
| Pneumatically released spring applied emergency / park brake on all wheels.                   |  |

## ADDITIONAL OPTIONS

|                         |   |
|-------------------------|---|
| Crane                   | 25 degree offset Rhino attachment.  |
|                         | Winch camera.   |
|                         | 1.9m offset Fly Jib with 0, 20 and 40 degree offsets.                             |
|                         | 9.2t capacity single sheave hook block.   |
|                         | Spare tyre and wheels.  |
|                         | Spare tyre and wheel assembly mounted under rear chassis for safe easy access     |
|                         | Super lift counterweight – releasing soon.  |
| Driveline               | Loose wheel-nut indicator.  |
|                         | Exhaust spark arrestor.   |
| Operator Comfort/Safety | Fast fill options; engine and transmission oil, hydraulic oil only and fuel only. |
|                         | FOPS certified top view glass.  |
|                         | Refrigerated compartment under dogman seat.                                       |
|                         | First aid kit.  |
|                         | 4.5kg or 9kg fire extinguisher left chassis mounted.                              |
|                         | Fire suppression system.  |
|                         | UHF Radio.  |
|                         | High visibility reflective tape striping to specification.                        |
|                         | Rear handrail – left side.  |

# LOAD CHART 66%

## PICK & CARRY



### LMI DUTY 101-66

- THIS CHART IS FOR CRANE SIDE SLOPE FROM 0° TO 0.6°. CRANE SIDE SLOPE LARGER THAN 0.6° THE LMI WILL DERATE AUTOMATICALLY
- STABILITY AS PER AS1418.5:2013 PART 4.1.2.6.1 PICK AND CARRY 66.6% OF TIPPING LOAD
- OPERATION OF THIS MACHINE WITH HEAVIER LOADS THAN THE CAPACITIES LISTED IS STRICTLY PROHIBITED. MACHINE TIPPING WITH BOOM EXTENSION OCCURS RAPIDLY AND WITHOUT ADVANCE WARNING
- LIFTING IS TO BE VERTICAL ONLY
- HOIST ROPE: 14MM 34 X 7 GRADE 1960 N/mm<sup>2</sup> NON ROTATING
- MIN BREAKING FORCE 18400KG
- 4600KG MAX LINE PULL
- TYRE SPECIFICATION FRONT AND REAR
- SIZE 12.00 R20 CREEP LOAD RATING 8695KG @ 0.2 KPH
- STATIC LOAD RATING 9250KG @ 0 KPH
- TYRE PRESSURE 130 PSI
- MASS OF SLINGS AND HOOK/BLOCK TO BE ADDED TO LOAD
- DURING OPERATION, WIND SPEED MUST NOT EXCEED 36 KM/H (10 M/S)
- READ AND UNDERSTAND CRANE USER MANUALS BEFORE OPERATING
- BOOM ANGLE IS WITH RESPECT TO THE HORIZONTAL
- SPARE WHEEL NOT INCLUDED AS COUNTERWEIGHT
- LOADS ABOVE THE BOLD RED LINE ARE LIMITED STRUCTURALLY
- LOADS BELOW THE BOLD RED LINE ARE LIMITED BY STABILITY

|  |
|--|
| Rated Capacity (kg) for 0°-10° articulation  |
| Rated Capacity (kg) for 11°-20° articulation |
| Rated Capacity (kg) for 21°-44° articulation |
| Boom angle in degrees                        |

REV: B  
29/04/2019

| RADIUS | 0° - 0.6° CRANE SIDE SLOPE: PC28 MOBILE CRANE: MAIN HOIST - COUNTER WEIGHT ON REAR |       |       |       |       |       |       |       |       |       |       |       |       |       |       | PICK AND CARRY |       |       |       |       |       |
|--------|--|-------|-------|-------|-------|-------|-------|-------|-------|-------|-------|-------|-------|-------|-------|----------------|-------|-------|-------|-------|-------|
|        | 6.12   | 6.50  | 7.00  | 7.50  | 8.00  | 8.50  | 9.00  | 9.50  | 10.00 | 10.50 | 11.00 | 11.50 | 12.00 | 12.50 | 13.00 | 13.50          | 14.45 | 15.50 | 15.50 | 16.50 | 18.64 |
| 1      | 25000  | 25000 | 25000 | 25000 | 25000 | 25000 | 25000 | 25000 | 25000 | 25000 | 25000 | 25000 | 25000 | 25000 | 25000 | 25000          | 25000 | 25000 | 25000 | 25000 | 25000 |
| 1.5    | 20950  | 20950 | 20950 | 20950 | 20950 | 20950 | 20950 | 20950 | 20950 | 20950 | 20950 | 20950 | 20950 | 20950 | 20950 | 20950          | 20950 | 20950 | 20950 | 20950 | 20950 |
| 2      | 16600  | 16600 | 16600 | 16600 | 16600 | 16600 | 16600 | 16600 | 16600 | 16600 | 16600 | 16600 | 16600 | 16600 | 16600 | 16600          | 16600 | 16600 | 16600 | 16600 | 16600 |
| 2.5    | 18050  | 18050 | 18050 | 18050 | 18050 | 18050 | 18050 | 18050 | 18050 | 18050 | 18050 | 18050 | 18050 | 18050 | 18050 | 18050          | 18050 | 18050 | 18050 | 18050 | 18050 |
| 3      | 14110  | 14025 | 13940 | 13940 | 13940 | 13940 | 13940 | 13940 | 13940 | 13940 | 13940 | 13940 | 13940 | 13940 | 13940 | 13940          | 13940 | 13940 | 13940 | 13940 | 13940 |
| 3.5    | 15100  | 14500 | 14400 | 14300 | 14100 | 14000 | 13900 | 13800 | 13700 | 13600 | 13500 | 13400 | 13300 | 13200 | 13100 | 13000          | 12900 | 12800 | 12700 | 12600 | 12500 |
| 4      | 12650  | 12650 | 12650 | 12650 | 12650 | 12650 | 12650 | 12650 | 12650 | 12650 | 12650 | 12650 | 12650 | 12650 | 12650 | 12650          | 12650 | 12650 | 12650 | 12650 | 12650 |
| 4.5    | 11000  | 10750 | 10750 | 10750 | 10750 | 10750 | 10750 | 10750 | 10750 | 10750 | 10750 | 10750 | 10750 | 10750 | 10750 | 10750          | 10750 | 10750 | 10750 | 10750 | 10750 |
| 5      | 9500   | 9138  | 9138  | 9138  | 9138  | 9138  | 9138  | 9138  | 9138  | 9138  | 9138  | 9138  | 9138  | 9138  | 9138  | 9138           | 9138  | 9138  | 9138  | 9138  | 9138  |
| 6      | 8000   | 7700  | 7700  | 7700  | 7700  | 7700  | 7700  | 7700  | 7700  | 7700  | 7700  | 7700  | 7700  | 7700  | 7700  | 7700           | 7700  | 7700  | 7700  | 7700  | 7700  |
| 7      | 6600   | 6400  | 6400  | 6400  | 6400  | 6400  | 6400  | 6400  | 6400  | 6400  | 6400  | 6400  | 6400  | 6400  | 6400  | 6400           | 6400  | 6400  | 6400  | 6400  | 6400  |
| 8      | 5950   | 5100  | 5100  | 5100  | 5100  | 5100  | 5100  | 5100  | 5100  | 5100  | 5100  | 5100  | 5100  | 5100  | 5100  | 5100           | 5100  | 5100  | 5100  | 5100  | 5100  |
| 9      | 4418   | 4228  | 4228  | 4228  | 4228  | 4228  | 4228  | 4228  | 4228  | 4228  | 4228  | 4228  | 4228  | 4228  | 4228  | 4228           | 4228  | 4228  | 4228  | 4228  | 4228  |
| 10     | 4000   | 3800  | 3800  | 3800  | 3800  | 3800  | 3800  | 3800  | 3800  | 3800  | 3800  | 3800  | 3800  | 3800  | 3800  | 3800           | 3800  | 3800  | 3800  | 3800  | 3800  |
| 11     | 3400   | 3230  | 3230  | 3230  | 3230  | 3230  | 3230  | 3230  | 3230  | 3230  | 3230  | 3230  | 3230  | 3230  | 3230  | 3230           | 3230  | 3230  | 3230  | 3230  | 3230  |
| 12     | 3000   | 2800  | 2800  | 2800  | 2800  | 2800  | 2800  | 2800  | 2800  | 2800  | 2800  | 2800  | 2800  | 2800  | 2800  | 2800           | 2800  | 2800  | 2800  | 2800  | 2800  |
| 13     | 2650   | 2500  | 2500  | 2500  | 2500  | 2500  | 2500  | 2500  | 2500  | 2500  | 2500  | 2500  | 2500  | 2500  | 2500  | 2500           | 2500  | 2500  | 2500  | 2500  | 2500  |
| 14     | 2423   | 2423  | 2423  | 2423  | 2423  | 2423  | 2423  | 2423  | 2423  | 2423  | 2423  | 2423  | 2423  | 2423  | 2423  | 2423           | 2423  | 2423  | 2423  | 2423  | 2423  |
| 15     | 2168   | 2168  | 2168  | 2168  | 2168  | 2168  | 2168  | 2168  | 2168  | 2168  | 2168  | 2168  | 2168  | 2168  | 2168  | 2168           | 2168  | 2168  | 2168  | 2168  | 2168  |
| 15.9   | 1828   | 1828  | 1828  | 1828  | 1828  | 1828  | 1828  | 1828  | 1828  | 1828  | 1828  | 1828  | 1828  | 1828  | 1828  | 1828           | 1828  | 1828  | 1828  | 1828  | 1828  |

# LOAD CHART 75%

## STATIONARY



### LMI DUTY 101-75

- THIS CHART IS FOR CRANE SIDE SLOPE FROM 0° TO 0.6°. CRANE SIDE SLOPE LARGER THAN 0.6° THE LMI WILL DERATE AUTOMATICALLY
- STABILITY AS PER AS1418.5 2013 PART 4.1.2.6.1 STATIONARY 75% OF TIPPING LOAD WITH HOLD BRAKE APPLIED
- OPERATION OF THIS MACHINE WITH HEAVIER LOADS THAN THE CAPACITIES LISTED IS STRICTLY PROHIBITED. MACHINE TIPPING WITH BOOM EXTENSION OCCURS RAPIDLY AND WITHOUT ADVANCE WARNING
- LIFTING IS TO BE VERTICAL ONLY
- HOIST ROPE: 14MM X 7 GRADE 1960 N/mm2 NON ROTATING
- MIN BREAKING FORCE 18400KG
- 4600KG MAX LINE PULL
- TYRE SPECIFICATION FRONT AND REAR
- SIZE 12.00 R20 CREEP LOAD RATING 8695KG @ 0.2 KPH
- STATIC LOAD RATING 9250KG @ 0 KPH
- TYRE PRESSURE 130 PSI
- MASS OF SLINGS AND HOOK BLOCK TO BE ADDED TO LOAD
- DURING OPERATION, WIND SPEED MUST NOT EXCEED 36 KM/H (10 M/S)
- READ AND UNDERSTAND CRANE USER MANUALS BEFORE OPERATING
- BOOM ANGLE IS WITH RESPECT TO THE HORIZONTAL
- SPARE WHEEL NOT INCLUDED AS COUNTERWEIGHT
- LOADS ABOVE THE BOLD RED LINE ARE LIMITED STRUCTURALLY
- LOADS BELOW THE BOLD RED LINE ARE LIMITED BY STABILITY

|  |
|--|
| Rated Capacity (kg) for 0°-10° articulation  |
| Rated Capacity (kg) for 11°-20° articulation |
| Rated Capacity (kg) for 21°-44° articulation |
| Boom angle in degrees                        |

REV: D  
10/05/2019

### STATIONARY

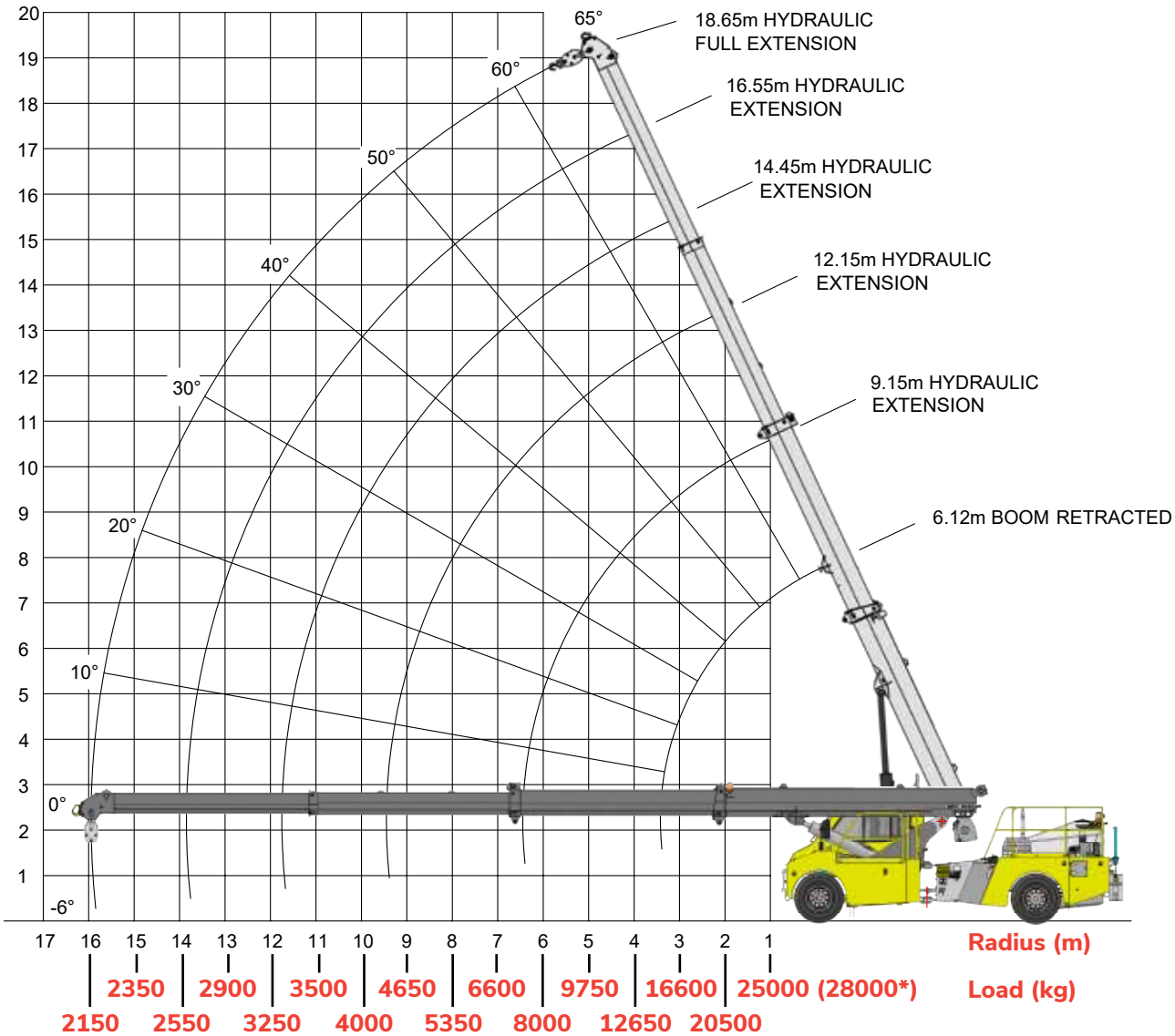
### PC28 MOBILE CRANE: MAIN HOIST - COUNTER WEIGHT ON REAR

| RADIUS | 6.12  | 6.50  | 7.00  | 7.50  | 8.00  | 8.50  | 9.00  | 9.50  | 10.00 | 10.50 | 11.00 | 11.50 | 12.00 | 12.50 | 13.00 | 13.50 | 14.45 | 15.50 | 16.50 | 17.50 | 18.64 |       |
|--------|-------|-------|-------|-------|-------|-------|-------|-------|-------|-------|-------|-------|-------|-------|-------|-------|-------|-------|-------|-------|-------|-------|
| 1      | 27600 | 25000 | 25000 | 25000 | 25000 | 25000 | 25000 |       |       |       |       |       |       |       |       |       |       |       |       |       |       |       |
|        | 26220 | 23750 | 23750 | 23750 | 23750 | 23750 | 23750 |       |       |       |       |       |       |       |       |       |       |       |       |       |       |       |
|        | 23460 | 21250 | 21250 | 21250 | 21250 | 21250 | 21250 |       |       |       |       |       |       |       |       |       |       |       |       |       |       |       |
|        | 53    | 55    | 58    | 60    | 62    | 64    |       |       |       |       |       |       |       |       |       |       |       |       |       |       |       |       |
| 1.5    | 23500 | 23500 | 23500 | 23500 | 23500 | 23500 | 23500 | 23500 | 23500 | 23500 |       |       |       |       |       |       |       |       |       |       |       |       |
|        | 22325 | 22325 | 22325 | 22325 | 22325 | 22325 | 22325 | 22325 | 22325 | 22325 |       |       |       |       |       |       |       |       |       |       |       |       |
|        | 19975 | 19975 | 19975 | 19975 | 19975 | 19975 | 19975 | 19975 | 19975 | 19975 |       |       |       |       |       |       |       |       |       |       |       |       |
|        | 47    | 50    | 53    | 56    | 58    | 62    | 64    |       |       |       |       |       |       |       |       |       |       |       |       |       |       |       |
| 2      | 23400 | 23400 | 23400 | 23400 | 23400 | 23400 | 23400 | 23400 | 23400 | 23400 | 23400 | 23400 | 23400 | 23400 | 23400 | 23400 | 23400 | 23400 | 23400 | 23400 | 23400 | 23400 |
|        | 21280 | 21280 | 21280 | 21280 | 21280 | 21280 | 21280 | 21280 | 21280 | 21280 | 21280 | 21280 | 21280 | 21280 | 21280 | 21280 | 21280 | 21280 | 21280 | 21280 | 21280 | 21280 |
|        | 19940 | 19940 | 19940 | 19940 | 19940 | 19940 | 19940 | 19940 | 19940 | 19940 | 19940 | 19940 | 19940 | 19940 | 19940 | 19940 | 19940 | 19940 | 19940 | 19940 | 19940 | 19940 |
|        | 40    | 44    | 48    | 51    | 54    | 56    | 58    | 60    | 62    | 63    |       |       |       |       |       |       |       |       |       |       |       |       |
| 2.5    | 21970 | 21970 | 21970 | 21970 | 21970 | 21970 | 21970 | 21970 | 21970 | 21970 | 21970 | 21970 | 21970 | 21970 | 21970 | 21970 | 21970 | 21970 | 21970 | 21970 | 21970 | 21970 |
|        | 20302 | 20302 | 20302 | 20302 | 20302 | 20302 | 20302 | 20302 | 20302 | 20302 | 20302 | 20302 | 20302 | 20302 | 20302 | 20302 | 20302 | 20302 | 20302 | 20302 | 20302 | 20302 |
|        | 18165 | 18165 | 18165 | 18165 | 18165 | 18165 | 18165 | 18165 | 18165 | 18165 | 18165 | 18165 | 18165 | 18165 | 18165 | 18165 | 18165 | 18165 | 18165 | 18165 | 18165 | 18165 |
|        | 32    | 37    | 42    | 46    | 49    | 52    | 55    | 57    | 59    | 60    | 62    | 63    | 64    |       |       |       |       |       |       |       |       |       |
| 3      | 18675 | 18675 | 18675 | 18675 | 18675 | 18675 | 18675 | 18675 | 18675 | 18675 | 18675 | 18675 | 18675 | 18675 | 18675 | 18675 | 18675 | 18675 | 18675 | 18675 | 18675 | 18675 |
|        | 17414 | 17414 | 17414 | 17414 | 17414 | 17414 | 17414 | 17414 | 17414 | 17414 | 17414 | 17414 | 17414 | 17414 | 17414 | 17414 | 17414 | 17414 | 17414 | 17414 | 17414 | 17414 |
|        | 15874 | 15874 | 15874 | 15874 | 15874 | 15874 | 15874 | 15874 | 15874 | 15874 | 15874 | 15874 | 15874 | 15874 | 15874 | 15874 | 15874 | 15874 | 15874 | 15874 | 15874 | 15874 |
|        | 21    | 29    | 35    | 40    | 44    | 48    | 51    | 53    | 55    | 57    | 60    | 62    | 63    | 64    |       |       |       |       |       |       |       |       |
| 3.5    | 16888 | 16888 | 16888 | 16888 | 16888 | 16888 | 16888 | 16888 | 16888 | 16888 | 16888 | 16888 | 16888 | 16888 | 16888 | 16888 | 16888 | 16888 | 16888 | 16888 | 16888 | 16888 |
|        | 16138 | 15497 | 15390 | 15283 | 15069 | 14963 | 14856 | 14749 | 14642 | 14535 | 14428 | 14321 | 14214 | 14105 | 14001 | 14001 | 14001 | 14001 | 14001 | 14001 | 14001 | 14001 |
|        | 14439 | 13866 | 13770 | 13674 | 13483 | 13388 | 13292 | 13196 | 13101 | 13005 | 12909 | 12814 | 12718 | 12622 | 12527 | 12527 | 12527 | 12527 | 12527 | 12527 | 12527 | 12527 |
|        | (34)  | 17    | 27    | 34    | 39    | 43    | 46    | 49    | 52    | 54    | 56    | 57    | 59    | 60    | 61    | 62    |       |       |       |       |       |       |
| 4      | 14231 | 13556 | 13500 | 13275 | 13275 | 13275 | 13275 | 13275 | 13275 | 13275 | 13275 | 13275 | 13275 | 13275 | 13275 | 13275 | 13275 | 13275 | 13275 | 13275 | 13275 | 13275 |
|        | 12920 | 12878 | 12825 | 12611 | 12611 | 12611 | 12611 | 12611 | 12611 | 12611 | 12611 | 12611 | 12611 | 12611 | 12611 | 12611 | 12611 | 12611 | 12611 | 12611 | 12611 | 12611 |
|        | 12997 | 12923 | 12875 | 12684 | 12684 | 12684 | 12684 | 12684 | 12684 | 12684 | 12684 | 12684 | 12684 | 12684 | 12684 | 12684 | 12684 | 12684 | 12684 | 12684 | 12684 | 12684 |
|        | (38)  | 16    | 26    | 33    | 38    | 42    | 45    | 48    | 50    | 53    | 54    | 56    | 57    | 59    | 60    | 61    | 62    |       |       |       |       |       |
| 4.5    | 12375 | 12094 | 12094 | 12094 | 12094 | 12094 | 12094 | 12094 | 12094 | 12094 | 12094 | 12094 | 12094 | 12094 | 12094 | 12094 | 12094 | 12094 | 12094 | 12094 | 12094 | 12094 |
|        | 11756 | 11489 | 11489 | 11489 | 11489 | 11489 | 11489 | 11489 | 11489 | 11489 | 11489 | 11489 | 11489 | 11489 | 11489 | 11489 | 11489 | 11489 | 11489 | 11489 | 11489 | 11489 |
|        | 10519 | 10280 | 10280 | 10280 | 10280 | 10280 | 10280 | 10280 | 10280 | 10280 | 10280 | 10280 | 10280 | 10280 | 10280 | 10280 | 10280 | 10280 | 10280 | 10280 | 10280 | 10280 |
|        | (43)  | 16    | 25    | 32    | 37    | 40    | 44    | 46    | 49    | 51    | 53    | 54    | 56    | 58    | 60    | 62    |       |       |       |       |       |       |
| 5      | 10969 | 10688 | 10688 | 10688 | 10688 | 10688 | 10688 | 10688 | 10688 | 10688 | 10688 | 10688 | 10688 | 10688 | 10688 | 10688 | 10688 | 10688 | 10688 | 10688 | 10688 | 10688 |
|        | 10420 | 10153 | 10153 | 10153 | 10153 | 10153 | 10153 | 10153 | 10153 | 10153 | 10153 | 10153 | 10153 | 10153 | 10153 | 10153 | 10153 | 10153 | 10153 | 10153 | 10153 | 10153 |
|        | 9223  | 9084  | 9084  | 9084  | 9084  | 9084  | 9084  | 9084  | 9084  | 9084  | 9084  | 9084  | 9084  | 9084  | 9084  | 9084  | 9084  | 9084  | 9084  | 9084  | 9084  | 9084  |
|        | (48)  | 15    | 25    | 31    | 35    | 40    | 43    | 46    | 47    | 50    | 52    | 54    | 55    | 57    | 60    | 62    | 64    |       |       |       |       |       |
| 6      | 9000  | 8663  | 8663  | 8663  | 8663  | 8663  | 8663  | 8663  | 8663  | 8663  | 8663  | 8663  | 8663  | 8663  | 8663  | 8663  | 8663  | 8663  | 8663  | 8663  | 8663  | 8663  |
|        | 8550  | 8229  | 8229  | 8229  | 8229  | 8229  | 8229  | 8229  | 8229  | 8229  | 8229  | 8229  | 8229  | 8229  | 8229  | 8229  | 8229  | 8229  | 8229  | 8229  | 8229  | 8229  |
|        | 7650  | 7463  | 7463  | 7463  | 7463  | 7463  | 7463  | 7463  | 7463  | 7463  | 7463  | 7463  | 7463  | 7463  | 7463  | 7463  | 7463  | 7463  | 7463  | 7463  | 7463  | 7463  |
|        | (53)  | 15    | 23    | 29    | 34    | 38    | 40    | 44    | 46    | 48    | 50    | 52    | 54    | 56    | 58    | 60    | 62    |       |       |       |       |       |
| 7      | 7425  | 7200  | 7200  | 7200  | 7200  | 7200  | 7200  | 7200  | 7200  | 7200  | 7200  | 7200  | 7200  | 7200  | 7200  | 7200  | 7200  | 7200  | 7200  | 7200  | 7200  | 7200  |
|        | 7054  | 6840  | 6840  | 6840  | 6840  | 6840  | 6840  | 6840  | 6840  | 6840  | 6840  | 6840  | 6840  | 6840  | 6840  | 6840  | 6840  | 6840  | 6840  | 6840  | 6840  | 6840  |
|        | 6511  | 6120  | 6120  | 6120  | 6120  | 6120  | 6120  | 6120  | 6120  | 6120  | 6120  | 6120  | 6120  | 6120  | 6120  | 6120  | 6120  | 6120  | 6120  | 6120  | 6120  | 6120  |
|        | (58)  | 14    | 22    | 28    | 32    | 36    | 39    | 42    | 44    | 47    | 51    | 54    | 56    | 58    |       |       |       |       |       |       |       |       |
| 8      | 6019  | 5738  | 5738  | 5738  | 5738  | 5738  | 5738  | 5738  | 5738  | 5738  | 5738  | 5738  | 5738  | 5738  | 5738  | 5738  | 5738  | 5738  | 5738  | 5738  | 5738  | 5738  |
|        | 5718  | 5451  | 5451  | 5451  | 5451  | 5451  | 5451  | 5451  | 5451  | 5451  | 5451  | 5451  | 5451  | 5451  | 5451  | 5451  | 5451  | 5451  | 5451  | 5451  | 5451  | 5451  |
|        | 5116  | 4877  | 4877  | 4877  | 4877  | 4877  | 4877  | 4877  | 4877  | 4877  | 4877  | 4877  | 4877  | 4877  | 4877  | 4877  | 4877  | 4877  | 4877  | 4877  | 4877  | 4877  |
|        | (63)  | 13    | 21    | 27    | 31    | 35    | 38    | 42    | 46    | 49    | 52    | 54    |       |       |       |       |       |       |       |       |       |       |
| 9      | 4970  | 4756  | 4756  | 4756  | 4756  | 4756  | 4756  | 4756  | 4756  | 4756  | 4756  | 4756  | 4756  | 4756  | 4756  | 4756  | 4756  | 4756  | 4756  | 4756  | 4756  | 4756  |
|        | 4700  | 4447  | 4447  | 4447  | 4447  | 4447  | 4447  | 4447  | 4447  | 4447  | 4447  | 4447  | 4447  | 4447  | 4447  | 4447  | 4447  | 4447  | 4447  | 4447  | 4447  | 4447  |
|        | (68)  | 12    | 21    | 26    | 30    | 36    | 41    | 44    | 48    | 51    |       |       |       |       |       |       |       |       |       |       |       |       |
| 10     | 4500  | 4275  | 4275  | 4275  | 4275  | 4275  | 4275  | 4275  | 4275  | 4275  | 4275  | 4275  | 4275  | 4275  | 4275  | 4275  | 4275  | 4275  | 4275  | 4275  | 4275  | 4275  |
|        | 4275  | 4061  | 4061  | 4061  | 4061  | 4061  | 4061  | 4061  | 4061  | 4061  | 4061  | 4061  | 4061  | 4061  | 4061  | 4061  | 4061  | 4061  | 4061  | 4061  | 4061  | 4061  |
|        | 3825  | 3634  | 3634  | 3634  | 3634  | 3634  | 3634  | 3634  | 3634  | 3634  | 3634  | 3634  | 3634  | 3634  | 3634  | 3634  | 3634  | 3634  | 3634  | 3634  | 3634  | 3634  |
|        | (73)  | 12    | 20    | 28    | 35    | 43    | 49    | 54    | 58    | 62    |       |       |       |       |       |       |       |       |       |       |       |       |
| 11     | 3938  | 3825  | 3881  | 3881  | 3881  | 3881  | 3881  | 3881  | 3881  | 3881  | 3881  | 3881  | 3881  | 3881  | 3881  | 3881  | 3881  | 3881  | 3881  | 3881  | 3881  | 3881  |
|        | 3741  | 3534  | 3587  | 3587  | 3587  | 3587  | 3587  | 3587  | 3587  | 3587  | 3587  | 3587  | 3587  | 3587  | 3587  | 3587  | 3587  | 3587  | 3587  | 3587  | 3587  | 3587  |
|        | 3347  | 3251  | 3259  | 3259  |       |       |       |       |       |       |       |       |       |       |       |       |       |       |       |       |       |       |

# WORKING RANGE



With counterweight on rear



NOTE: Rated capacity values shown are for the pick and carry chart. The stationary chart will give a higher rated capacity. \*Stationary lifting on first lug.

## After Sales Support

TRT is proud to manufacture the TIDD PC28, and we are committed to supporting our product for its warranty and beyond. The team of highly experienced TIDD service technicians and agents are available to assist operators, fleet owners and workshops with training, advice, documentation and product upgrades.

## Parts

TRT stocks genuine spare parts for the TIDD PC28 in Australia and NZ. We can easily arrange overnight freight for all spares and service items to ensure the Crane is returned to service with minimal downtime.

## Distributed by:

TRT reserves the right to alter specifications without notice. Photographs and drawings in this document are for illustrative purposes only. Product shown in photos contains optional features. TRT in so far as it is permitted by law to do so, shall not be liable in any way as a result of any reliance by any person on anything contained in this brochure.

Please contact us for current and detailed specifications. TRT Australia Pty Ltd / Tidd Ross Todd Ltd is the manufacturer of the TIDD PC28.

14052019

Designed & Manufactured by:



**TRT (AUST) PTY. Ltd.**  
 1028 Lytton Road, Murarrie, QLD 4172  
 Phone: +61 7 3890 8800  
 Email: cranesales@trtaust.com.au  
[www.trtaustralia.com.au](http://www.trtaustralia.com.au)

**Tidd Ross Todd Ltd**  
 48 Maui Street, Pukete Industrial Estate  
 P.O Box 10076, Te Rapa, Hamilton 3241  
 Phone: +64 7 849 4839 Email: cranesales@trt.co.nz  
[www.trt.co.nz](http://www.trt.co.nz)